

## Wall mounting socket outlet, switched, interlocked - housing dimensions 460x180



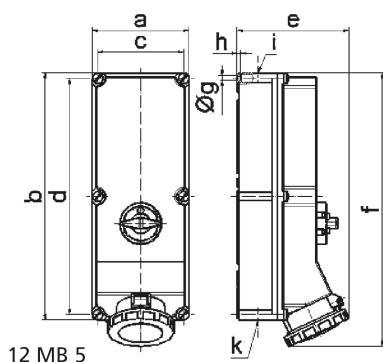
Product description	
PH-Prd.-Nr	PH16577AL
EAN	7024941165775
product category (PG)	TE wall mounting socket outlet, switched, interlocked
current (A)	125A
number of poles (P99)	4p
number of poles (P)	3P+PE
position of earth contact (H)	11 h
voltage (V)	440 up to 460V

Product description	
frequency (HZ)	60Hz
protection degree (SA)	IP67
colour code 1 (KF1)	red RAL 3000
Colour of appliance	Hinged lid red RAL 3000, Bayonet ring grey RAL 7035, Housing screws grey RAL 7035, Housing bottom grey RAL 7035, Housing top grey RAL 7035, Control knob grey RAL 7035
connection design (AT)	screw terminal for Al/Cu
maximum conductor size (LQ)	95.0 qmm
cable entry (KE)	top entry M50 bottom entry M50/M40
Height	512mm
Width	180mm
Depth	210mm
dimension of enclosure (GG)	460x180 mm (HxW)
material of enclosure (GM)	Polycarbonate
contact	The contact carrier is made of high temperature resistant material, the contacts are brass nickel plated

Additional technical information	
	The cable entry is one at top and two at bottom open
	In 0-position lockable for 4 padlocks with bow diameter up to 7 mm

Logistics data	
Weight/pcs	3.725 kg / Piece

Logistics data	
Packaging	Carton
Content amount	1 ST
EAN	7024941165775
Length	560 mm
Width	215 mm
Height	260 mm
Weight	4.187 kg
Volume	26,400 ccm



Ampere	125	125	125			
Polzahl	3	4	5			
a	180,0	180,0	180,0			
b	460,0	460,0	460,0			
c	160,0	160,0	160,0			
d	440,0	440,0	440,0			
e	208,0	208,0	208,0			
f	510,0	510,0	510,0			
g ø	8,3	8,3	8,3			
h	6,5	6,5	6,5			
i	M50	M50	M50			
k	M40/50	M40/50	M40/50			