

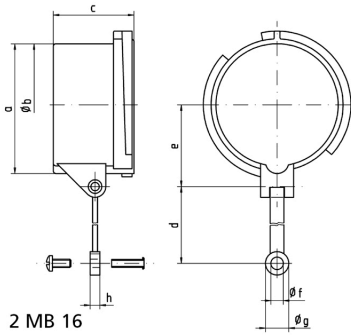
Accessories plugs/connectors - Closure cap for CEE plugs



Product description	
BALS-Prd.-Nr	832
EAN	4024941008327
Product group	closure cap
Current	32A
Number of poles	5p
Arrangement of the phases	3P+N+PE
Protection degree	IP67
Colour code	0

Product description	
Material of enclosure	Polyamide

Logistics data	
Weight/pcs	0.068 kg / piece
Packaging	bag
Content amount	1 ST
EAN	4024941008327
Length	410 mm
Width	285 mm
Weight	0.069 kg
Packaging	carton
Content amount	10 ST
EAN	4024941946742
Length	275 mm
Width	175 mm
Height	137 mm
Weight	0.805 kg
Volume	5,737.5 ccm



Ampere Polzahl	16 3	16 4	16 5	32 3/4	32 5	63 3/4/5	125 3/4/5
a	53,0	59,5	67,0	70,0	76,5	83,5	95,5
b \varnothing	49,5	55,7	63,0	64,0	70,5	76,5	89,0
c	41,5	41,5	41,5	51,5	51,5	72,5	80,0
d	133,0	133,0	133,0	133,0	133,0	155,0	155,0
e	34,5	38,0	42,0	44,0	48,0	52,0	57,5
f \varnothing	6,4	6,4	6,4	6,4	6,4	6,4	6,4
g \varnothing	12,0	12,0	12,0	12,0	12,0	12,0	12,0
h	5,0	5,0	5,0	5,0	5,0	5,0	5,0