



**Note:** Product images do not represent this product. Actual product may differ from shown images.

Data subject to change without notice. Always confirm the data is correct from the seller.

## KEA 3250

### KEA Aluminium 16-250A

- IP66; Enclosure types A2, A3
- IP65; Enclosure types A4, A5
- IK08; A2, A3 (Degree of mechanical

impact)

- IK10: A4, A5
- Excellent for hard weather conditions
- Wide operating temperature range
- Good resistance against many chemicals
- Good UV resistance
- Padlockable
- Door interlock with defeat mechanism
- Tested according to IEC 60947-3
- **Note!** Al-cables cannot be connected directly to switch terminals. For Al-cable connection please use a bi-metal cable connector, **available here**.

**Technical datasheet >>**

Accessories



**PRODUCT CARD**

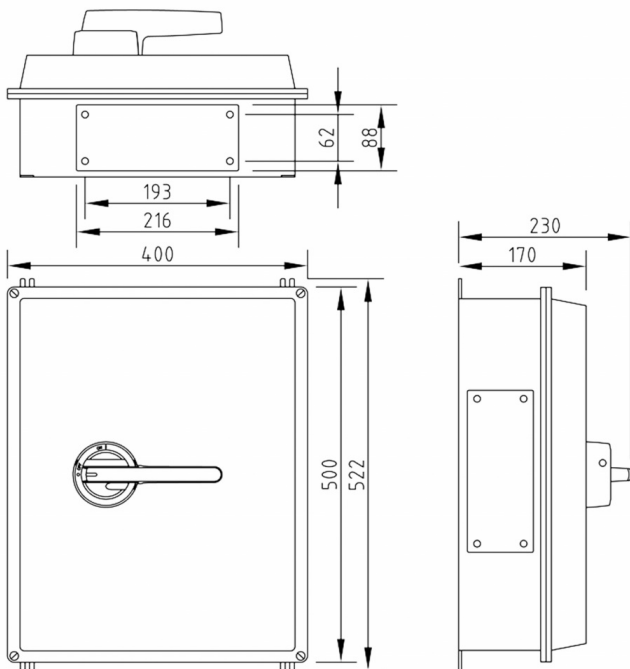
**MORE INFORMATION**

## PRODUCT DETAILS

|                     |          |
|---------------------|----------|
| SKU                 | KEA 3250 |
| AC-21 400/415 V (A) | 250 A    |
| AC-21 690 V (A)     | 250 A    |

|   |                   |
|---|-------------------|
| <b>AC-22 400/415 V (A)</b>  | 250 A             |
| <b>AC-22 690 V (A)</b>  | 250 A             |
| <b>AC-23 400/415 V (A/kW)</b>                                     | 250 A / 132 kW    |
| <b>AC-23 690 V (A/kW)</b>   | 250 A / 250 kW    |
| <b>Cable Area to Switch Terminal (mm<sup>2</sup>) / Bolt size</b> | M10               |
| <b>Color</b>  | Standard          |
| <b>EAN</b>  | 6419410332665     |
| <b>Enclosure</b>  | A5                |
| <b>Enclosure Type</b>   | Aluminium         |
| <b>IP Rating</b>  | 65                |
| <b>Number of Poles</b>  | 3                 |
| <b>Operation</b>  | Front-operated    |
| <b>Switch type</b>  | Load Break Switch |
| <b>Weight (kg)</b>  | 14                |

## DIMENSIONAL DRAWING





KATKO Oy  
Ruosilantie 2  
00390 Helsinki, Finland  
E-mail: info(at)katko.com  
Tel: +358 (0)9 849 600

# NEWSLETTER

---

Email

SEND »

[LinkedIn](#) | [YouTube](#)

DOWNLOADS →

[Terms & Conditions](#)