



**Note:** Product images do not represent this product. Actual product may differ from shown images.

Data subject to change without notice. Always confirm the data is correct from the seller.

## **KER 3160R**

### **KER RS/R Stainless steel 16-160A**

- IP66
- AISI 316, acid proof
- Designed for hygienic and heavy

environments

- Easy to install and to keep clean
- Rainhood protection with angled top in RS-models
- Padlockable stainless steel handle LKR1
- Tested according to IEC 60947-3
- **Note!** Al-cables cannot be connected directly to switch terminals. For Al-cable connection please use a bi-metal cable connector, **available here**.

**Technical datasheet >>**

Accessories



**PRODUCT CARD**

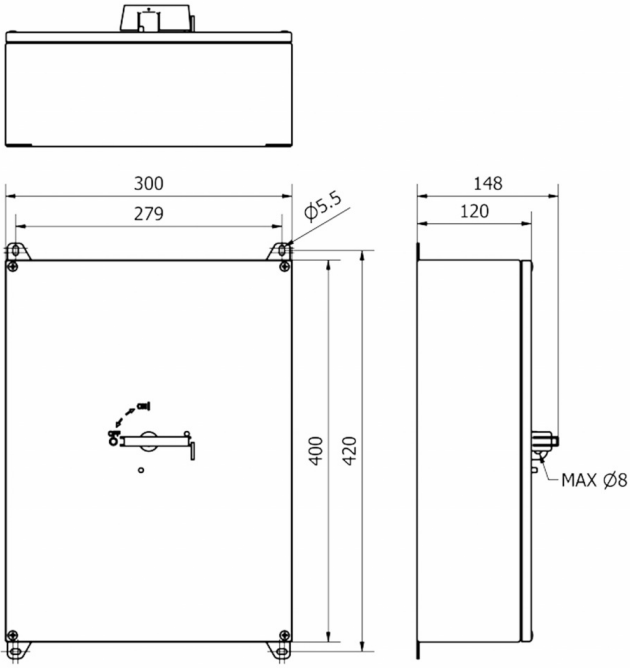
**MORE INFORMATION**

## PRODUCT DETAILS

SKU	KER 3160R
AC-21 400/415 V (A)	160 A
AC-21 690 V (A)	160 A

<b>AC-22 400/415 V (A)</b>	160 A
<b>AC-22 690 V (A)</b>	160 A
<b>AC-23 400/415 V (A/kW)</b>	160 A / 90 kW
<b>AC-23 690 V (A/kW)</b>	100 A / 90 kW
<b>Cable Area to Switch Terminal (mm<sup>2</sup>) / Bolt size</b>	6-70
<b>Color</b>	Standard
<b>EAN</b>	6419410357842
<b>Enclosure</b>	H02T
<b>Enclosure Type</b>	Stainless Steel: Stainless Steel Handle
<b>IP Rating</b>	66
<b>Number of Poles</b>	3
<b>Operation</b>	Front-operated
<b>Switch type</b>	Load Break Switch
<b>Weight (kg)</b>	6.9

## DIMENSIONAL DRAWING



KATKO Oy  
Ruosilantie 2  
00390 Helsinki, Finland  
E-mail: info(at)katko.com  
Tel: +358 (0)9 849 600

# NEWSLETTER

Email

SEND »

[LinkedIn](#) | [YouTube](#)

DOWNLOADS →

[Terms & Conditions](#)