



Data subject to change without notice. Always confirm the data is correct from the seller.

## **KSM 225U**

---

### **KSM Side operated polycarbonate switches 16A & 25A**

- Easy to install
- IP67
- Fully rated Load Break Switch
- Good resistance against UV and many

chemicals

- Membrane gasket cable entries as standard with strain relief 2 x 20 mm on the top, 2 x 20 mm on the bottom and 2 x 15 mm on the base
- Possible to install M20 cable glands
- Wall mounting with membrane gaskets
- Wall mounting dimensions: 62,0 x 90,0 mm
- Large cable terminals 1,5 – 16 mm<sup>2</sup>
- Padlockable handle to OFF-position
- Handle sealable to ON-position
- Enclosure can be sealed to any position
- Available 2, 3, 4P and 3P with auxiliary contact (S)
- Large 1,5 – 16 mm<sup>2</sup> neutral and earth terminals on 3P switch, earth on 2P and 4P switches

**KSM Installation guide video >>**

**Technical datasheet >>**

Accessories



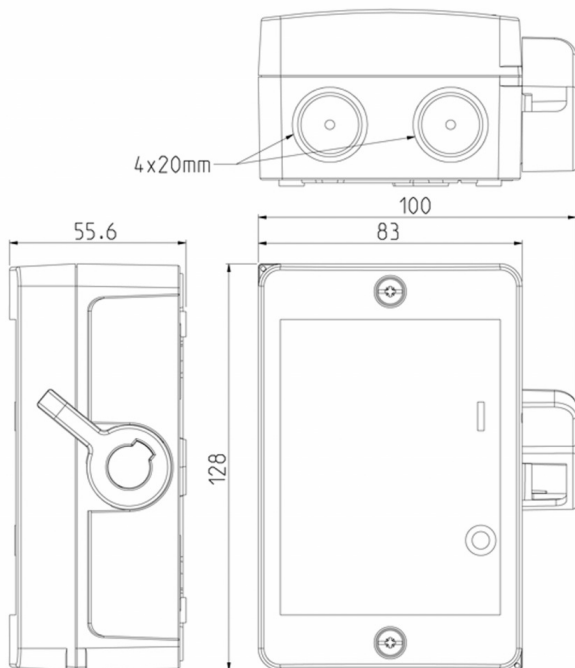
**PRODUCT CARD**

**MORE INFORMATION**

**PRODUCT DETAILS**

<b>SKU</b>	KSM 225U
<b>AC-23 400/415 V (A/kW)</b>	25 A / 11 kW
<b>Cable Area to Switch Terminal (mm<sup>2</sup>) / Bolt size</b>	1.5-16
<b>Color</b>	Standard
<b>EAN</b>	6419410328385
<b>Enclosure</b>	U1
<b>Enclosure Type</b>	Polycarbonate
<b>IP Rating</b>	67
<b>Number of Poles</b>	2
<b>Operation</b>	Side-operated
<b>Switch type</b>	Load Break Switch
<b>Weight (kg)</b>	0.21

## DIMENSIONAL DRAWING



# NEWSLETTER

---

**SEND »**

[LinkedIn](#) | [YouTube](#)

**DOWNLOADS →**

[Terms & Conditions](#)