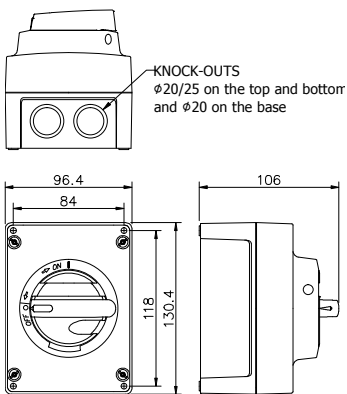


EMC-PROTECTED SAFETY SWITCHES 16-1000 A

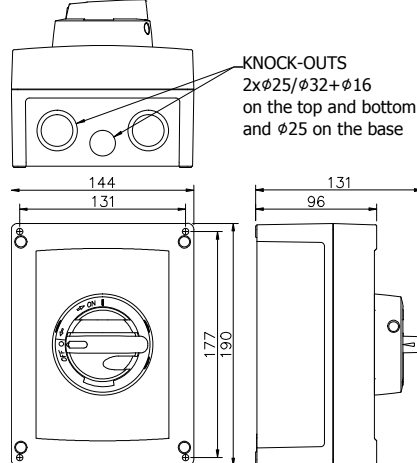


- Tested according to EMC EN 61000-6-3:2007+A1(2011) with EMC- glands shielded power cable
- Padlockable
- EMC cable glands included
- Available as 3-, 4-, 6- or 8-pole version
- Over 80 A: cable entries must be declared when ordering
- KUR switches available up to 1000 A
- Sheet steel enclosure dimensions on page 22
- Stainless steel enclosure dimensions on page 18
- Also available as stainless steel IP69K, see page 21

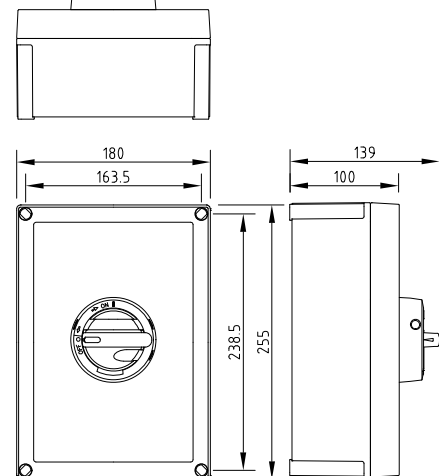
U2



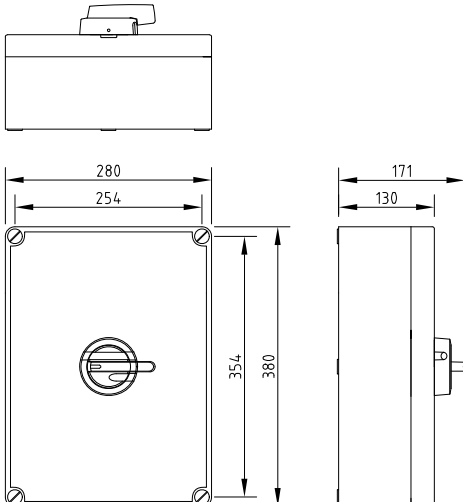
U3



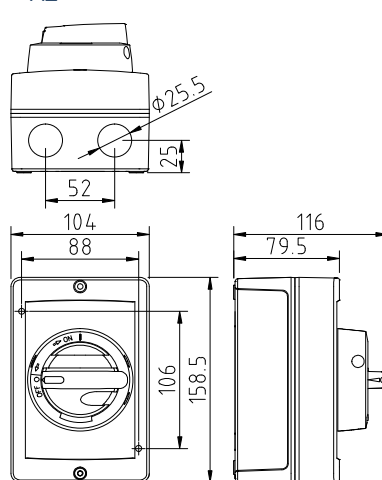
U4



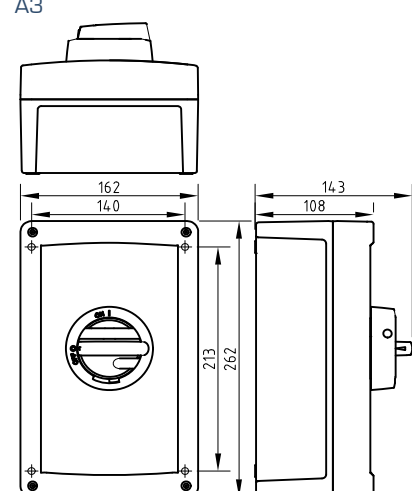
MF11UL



A2



A3



Type	AC-23 / 400V	AC-23 / 690 V	Poles	Enclosure	IP	EAN code 6419410...	E-NO	Weight kg
Polycarbonate enclosures								
KUM 316U / EMC	20 A / 7,5 kW	20 A / 15 kW	3P	U2	66	...301197	3600457	0.46
KUM 316U1.V / EMC	20 A / 7,5 kW	20 A / 15 kW	3P	U2	66	...301500	3603082	0.46
KUM 316US EMC U3	20 A / 7,5 kW	20 A / 15 kW	3P	U3	66	...365359	3602881	0.75
KUM 316U1.V/EMC U3	20 A / 7,5 kW	20 A / 15 kW	3P	U3	66	...363690	3600748	0.75
KUM 325U / EMC	25 A / 11 kW	25 A / 22 kW	3P	U2	66	...302033	3603072	0.46
KUM 325U1.V / EMC	25 A / 11 kW	25 A / 22 kW	3P	U2	66	...301524	3603084	0.46
KUM 325US EMC U3	25 A / 11 kW	25 A / 22 kW	3P	U3	66	...365366	3602882	0.75
KUM 325U1.V/EMC U3	25 A / 11 kW	25 A / 22 kW	3P	U3	66	...365328	3600989	0.75
KUM 332U / EMC	32 A / 15 kW	25 A / 22 kW	3P	U3	66	...302590	3600459	0.75
KUM 332U1.V / EMC	32 A / 15 kW	25 A / 22 kW	3P	U3	66	...301548	3603086	0.75
KUM 363U / EMC	63 A / 30 kW	40 A / 37 kW	3P	U3	66	...302781	3603076	0.75
KUM 363U1.V / EMC	63 A / 30 kW	40 A / 37 kW	3P	U3	66	...301562	3603088	0.75
KUM 380U1.V / EMC	80 A / 45 kW	63 A / 55 kW	3P	U4	66	...360224	3603089	1.25
KUM 680T1.VEMC	80 A / 45 kW	63 A / 55 kW	6P	MF11UL	66	...373026	3600864	1.25
KUM 3125T1.VEMC	125 A / 55 kW	80 A / 75 kW	3P	MF11UL	66	...300923	3600859	1.25
KUM 3160T1.VEMC	160 A / 90 kW	100 A / 90 kW	3P	MF11UL	66	...372838	3600854	1.25
Aluminium enclosures								
KUA 316U1.V / EMC	20 A / 7,5 kW	20 A / 15 kW	3P	A2	66	...302996	3600524	0.85
KUA 325U1.V / EMC	25 A / 11 kW	25 A / 22 kW	3P	A2	66	...309988	3600418	0.85
KUA 332U1.V / EMC	32 A / 15 kW	25 A / 22 kW	3P	A3	67	...303009	3600525	1.96
KUA 363U1.V / EMC	63 A / 30 kW	40 A / 37 kW	3P	A3	67	...309995	3600428	1.96
KUA 380U1.VEMC	80 A / 45 kW	63 A / 55 kW	3P	A3	68	...372791	3600898	2.30
Sheet steel enclosures								
KUT 380T1.V / EMC	80 A / 45 kW	63 A / 55 kW	3P	TRO2	65	...303016	3600526	8.14
KUT 680T1.VEMC	80 A / 45 kW	63 A / 55 kW	6P	TRO2	65	...372777	3600869	8.14
KUT 3125T1.V / EMC	125 A / 55 kW	80 A / 75 kW	3P	TRO2	65	...303023	3600527	9.74
KUT 6125T1.VEMC	125 A / 55 kW	80 A / 75 kW	6P	TRO3	65	...372746	3600871	9.74
KUT 3160T1.VEMC	160 A / 90 kW	100 A / 90 kW	3P	TRO2	65	...372739	3600855	9.74
KUT 6160T1.VEMC	160 A / 90 kW	100 A / 90 kW	6P	TRO3	65	...372760	3600873	9.74
KUT 3200VT1.V / EMC	200 A / 110 kW	200 A / 160 kW	3P	TRO3	65	...303047	3600529	20.05
KUT 3250VT1.V / EMC	250 A / 132 kW	250 A / 250 kW	3P	TRO3	65	...303054	3600530	20.05
KUT 3400VT1.V / EMC	400 A / 200 kW	400 A / 355 kW	3P	TRO4	65	...303061	3600531	20.44
KUT 3630VT1.V / EMC	630 A / 355 kW	630 A / 630 kW	3P	TRO4	65	...303078	3600532	39.49
KUT 3800T1.V / EMC	800 A / 400 kW	800 A / 800 kW	3P	TRO5	65	...303085	3600533	60.29
KUT 31000T1.V / EMC	1000 A / 560 kW	1000 A / 800 kW	3P	TRO7	65	...303092	3600534	75.29
Stainless steel enclosures								
KUR 316T EMC 1.V	20 A / 7,5 kW	20 A / 15 kW	3P	H23	66	...306857	3600388	1.2
KUR 325T EMC 1.V	25 A / 11 kW	25 A / 22 kW	3P	H23	66	...306895	3600389	2.3
KUR 363T EMC 1.V	63 A / 30 kW	40 A / 37 kW	3P	H32	66	...306932	3600393	2.3
KUR 380T1.VEMC	80 A / 45 kW	63 A / 55 kW	3P	H02	66	...372920	3600876	8.5
KUR 680T1.VEMC	80 A / 45 kW	63 A / 55 kW	6P	H02	66	...373002	3600883	9.2
KUR 3125T1.VEMC	125 A / 55 kW	80 A / 75 kW	3P	H02	66	...372876	3600394	8.5
KUR 6125T1.VEMC	125 A / 55 kW	80 A / 75 kW	6P	H03	65	...372944	3600888	9.2
KUR 3160T1.VEMC	160 A / 90 kW	100 A / 90 kW	3P	H02	66	...372890	3600857	8.5
KUR 6160T1.VEMC	160 A / 90 kW	100 A / 90 kW	6P	H03	65	...372975	3600856	9.2

M16 cable gland included with 1.V auxiliary contacts
(if U2 enclosure cable gland is M20)

Switch delivered with following cable glands:

Type	A	Cable glands	Cable size mm
KUM__EMC	16	M25	11-17
KUM__EMC	25	M25	11-17
KUM__EMC	32	M32	15-21
KUM__EMC	63	M32	15-21
KUA__EMC	16	M25	11-17
KUA__EMC	25	M25	11-17
KUA__EMC	32	M40	19-28
KUA__EMC	63	M40	19-28