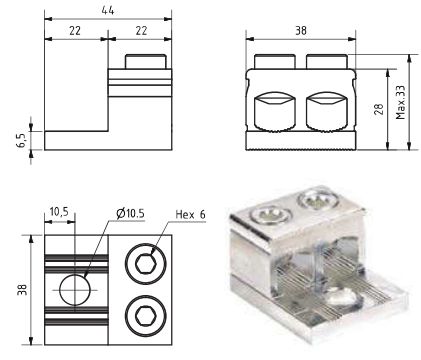
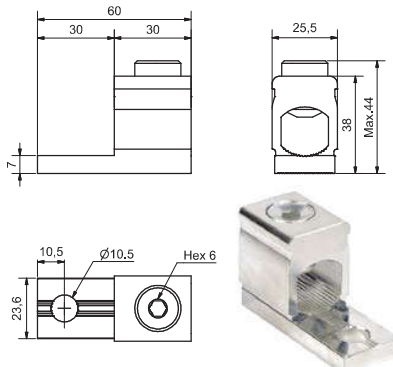


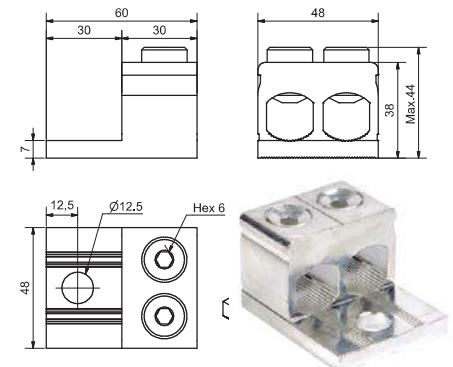
KKL 1X95



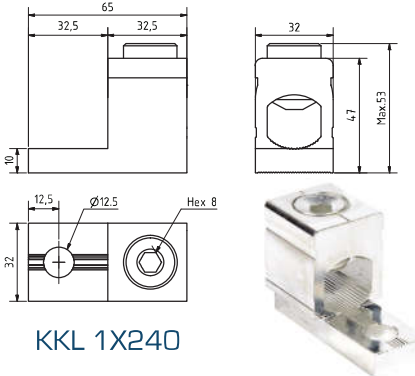
KKL 2X95



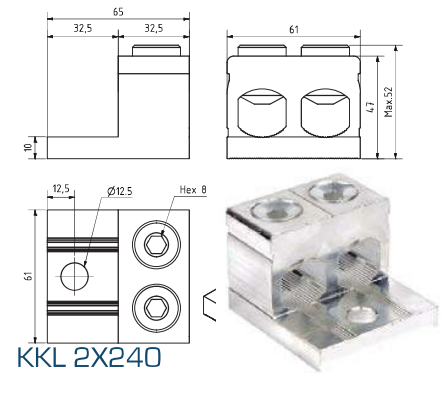
KKL 1X150



KKL 2X150



KKL 1X240



KKL 2X240

Type	Un (V)	In (A)	Al mm <sup>2</sup>	Cu mm <sup>2</sup>	Torque Al/Cu (Nm)	Number of conductors	Allen key size	Mounting	EAN code 6419410...	E-NO	Weight kg			
KKL 1X16	690	63	1.5-16	1.5-16	2.5	1	Hex 3	Direct	...358887	1942000	0,01			
KKL 1X50			...358108	1942026	0,019									
KKL 1X50M			...358122	1942027	0,017									
KKL 1X50N			...358146	1942027	0,014									
KKL 1X50R		16-50	2.5-50	6 (2.5-6 mm <sup>2</sup> ) 12 (16-50 mm <sup>2</sup> )	2	Hex 5	Bolt	...358894	1942004	0,011				
KKL 2X50								...358900	1942005	0,023				
KKL 2X50M		320	16-50	6 (2.5-6 mm <sup>2</sup> ) 12 (16-50 mm <sup>2</sup> )	2	Hex 6	Bolt M8	...358917						
KKL 1X95		200	25-95	25-95	1			Hex 6	Bolt M8	...358924	1942029	0,03		
KKL 2X95						400	12 (25-50 mm <sup>2</sup> ) 22 (70-95 mm <sup>2</sup> )			2	Bolt M10	...358948	1942030	0,061
KKL 1X120T.1		160	16-120	16-120	12 (16-35 mm <sup>2</sup> ) 22 (50-120 mm <sup>2</sup> )	1	Hex 6	Direct	...358962	1942001	0,037			
KKL 1X120T.2									...358986	1942028				
KKL 1X120T.3									...359006	1942002				
KKL 1X120TM									...358375	1942003				
KKL 1X120RS					315	25-150	25-150	12 (25-50 mm <sup>2</sup> ) 22 (70-95 mm <sup>2</sup> ) 35 (120-150 mm <sup>2</sup> )	1	Hex 6	Bolt M8	...358382		0,044
KKL 1X120RSY												...358368		
KKL 1X150					630	25-150	25-150	12 (25-50 mm <sup>2</sup> ) 22 (70-95 mm <sup>2</sup> ) 35 (120-150 mm <sup>2</sup> )	1	Hex 6	Bolt M10	...359020	1942006	0,073
KKL 2X150	800				35-240	35-240	25 (35-120 mm <sup>2</sup> ) 55 (150-240 mm <sup>2</sup> )	2	Hex 8			Bolt M12	...359044	1942007
KKL 1X240	400	35-240	35-240	25 (35-120 mm <sup>2</sup> ) 55 (150-240 mm <sup>2</sup> )	1	Hex 6	Bolt M12	...359068		1942031	0,113			
KKL 2X240	800	35-240	35-240	25 (35-120 mm <sup>2</sup> ) 55 (150-240 mm <sup>2</sup> )	2			Hex 8	Bolt M12	...359082	1942032	0,245		



MCB 16 A + KKL 1x16T

VKA 3160 + KKL 1X120T

KVKE 3125 + KKL 1X120T



MCCB 160 A + KKL 1x120TM



VKE 3250 + KKL 1X240